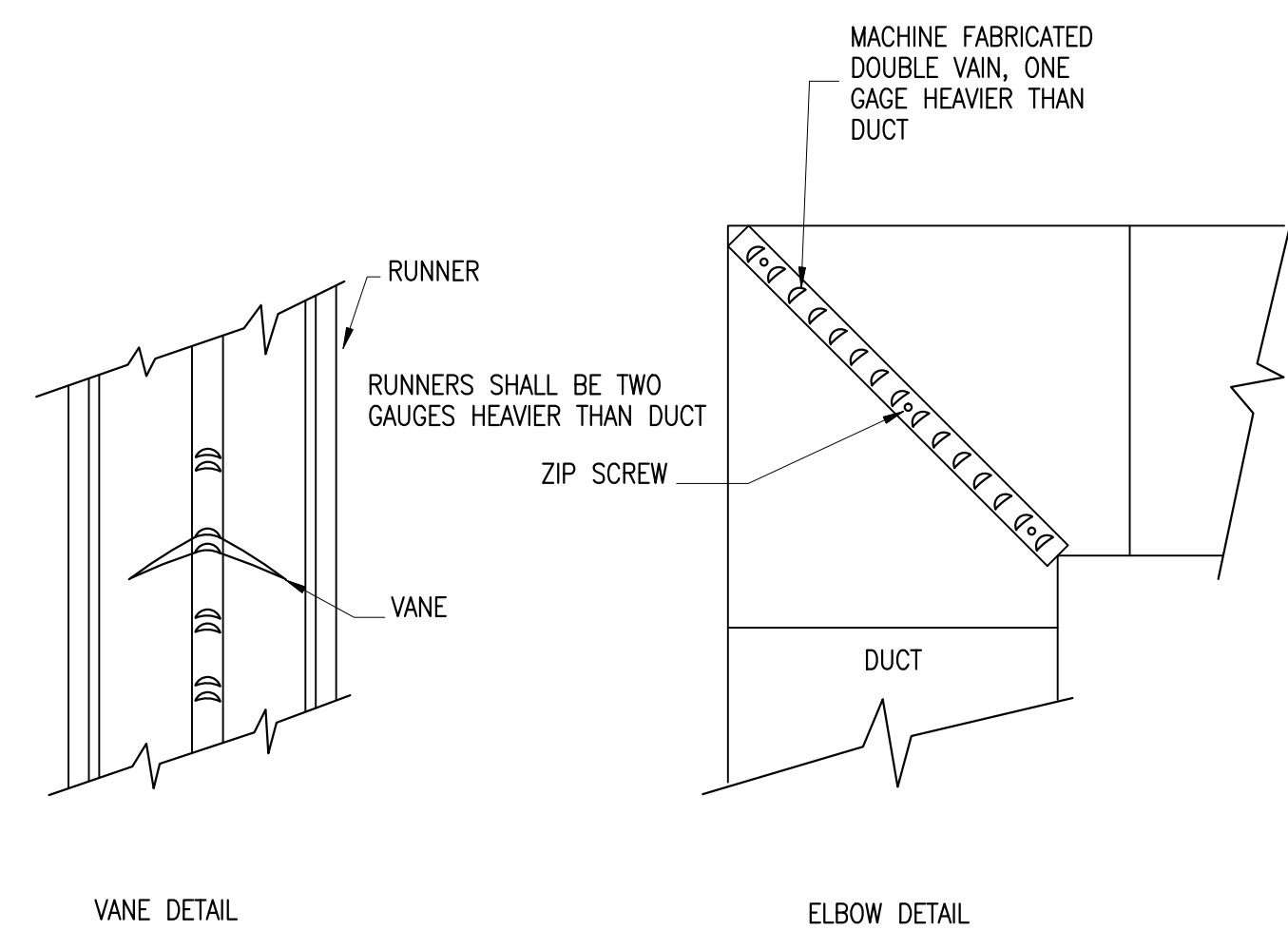


GAS-FIRED FURNACE UNIT SCHEDULE													
ITEM	MFG'R ⑤	MODEL	TOTAL CFM	O.A. CFM	GAS TYPE	MBH INPUT	MBH OUTPUT	AIR TEMP. RISE	E.S.P. IN.WG.	FAN			REMARKS
										HP	POWER	MOCP	
F-1	LENNOX	EL296UH090XV48C	680-1770	375	NATURAL	88	85	30-60	.5	3/4	120/1/60	20 AMPS	① ② ③ ④
F-2	LENNOX	EL296UH090XV48C	680-1770	375	NATURAL	88	85	30-60	.5	3/4	120/1/60	20 AMPS	① ② ③ ④
F-3	LENNOX	EL296UH090XV36C	520-1360	375	NATURAL	88	84	36-65	.5	1/2	120/1/60	15 AMPS	① ② ③ ④
F-4	LENNOX	EL296UH090XV36C	520-1360	375	NATURAL	88	84	36-65	.5	1/2	120/1/60	15 AMPS	① ② ③ ④

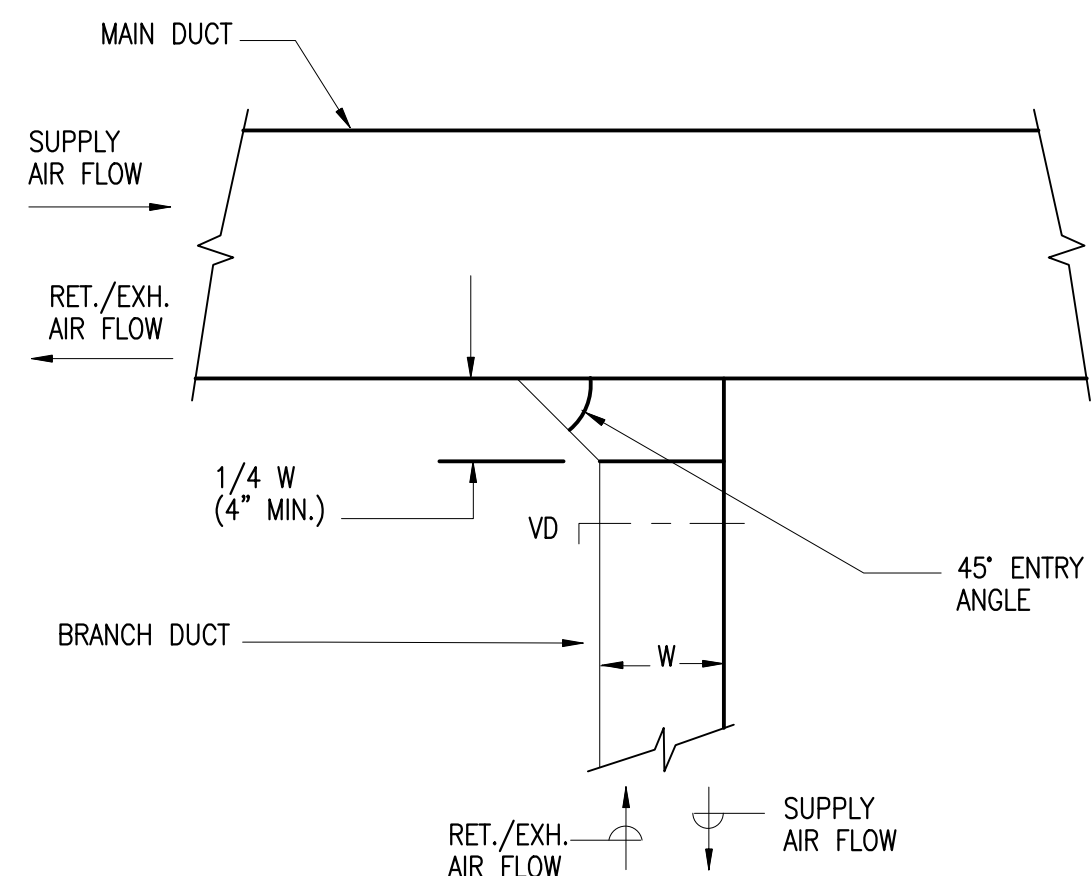
- ① UNIT PERFORMANCE BASED ON 50% DIRTY FILTERS. ④ FURNACE SHALL BE INSTALLED ON A 4" HIGH CONTRACTOR FURNISHED HOUSEKEEPING PAD.
 ② VARIABLE AIR VOLUME, 2-STAGE HEATING, 2-STAGE COOLING UNIT. ⑤ ACCEPTABLE ALT. MANUFACTURERS: CARRIER, AMERICAN STANDARD OR APPROVED EQUAL.
 ③ FURNISH WITH DIGITAL PROGRAMMABLE THERMOSTAT, CONCENTRIC VENT KIT, AND CONDENSATE PUMP.

AIR-COOLED CONDENSING UNIT SCHEDULE															
ITEM	MFG'R ④	MODEL	UNIT SERVED	NOMINAL TONS	AMBIENT TEMP.	MCA	MOCP	COMPRESSOR		ELECTRICAL DATA			REFRIGERANT	SEER	REMARKS
								RLA	LRA	VOLTS	PH	HZ			
CU-1	LENNOX	XC16-048-230-5	F-1	4	95	28.2	45	21.15	96	230	1	60	R410A	16	① ② ③
CU-2	LENNOX	XC16-048-230-5	F-2	4	95	28.2	45	21.15	96	230	1	60	R410A	16	① ② ③
CU-3	LENNOX	XC16-036-230-5	F-3	3	95	20.8	35	15.25	83	230	1	60	R410A	16	① ② ③
CU-4	LENNOX	XC16-036-230-5	F-4	3	95	20.8	35	15.25	83	230	1	60	R410A	16	① ② ③

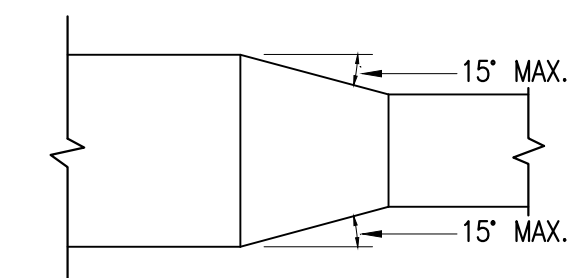
- ① UNIT SHALL BE INSTALLED ON A CONTRACTOR FURNISHED/CONSTRUCTED PAD. ③ FURNISH WITH LOW-AMBIENT COMPONENTS AND CONTROLS.
 ② EXPOSED EXTERIOR REFRIGERANT PIPING TO THIS UNIT SHALL BE PROPERLY SUPPORTED OFF OF THE GROUND. ④ ACCEPTABLE ALT. MANUFACTURERS: CARRIER, AMERICAN STANDARD OR APPROVED EQUAL.



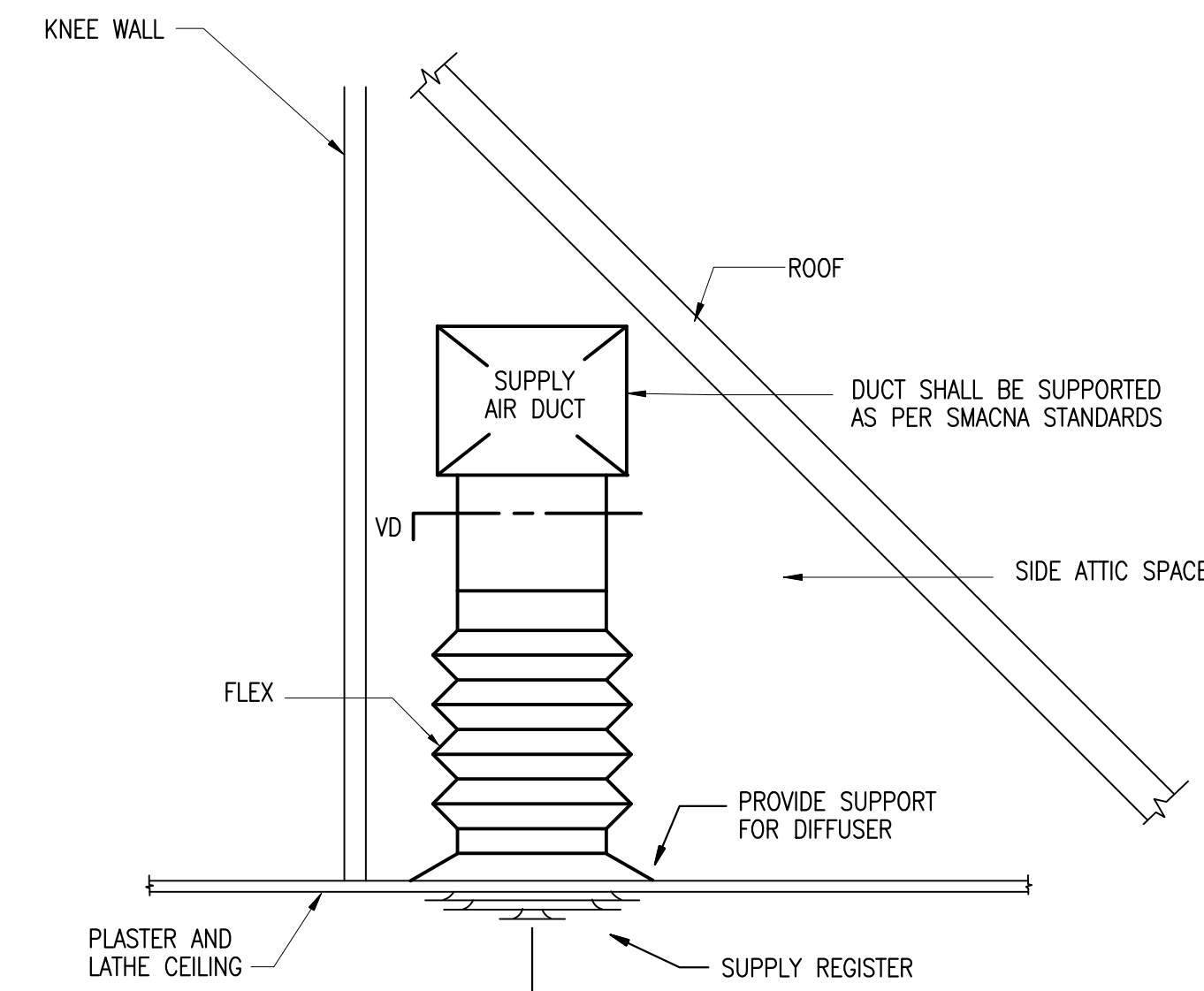
VANES FOR SQUARE ELBOWS DETAIL
N.T.S.



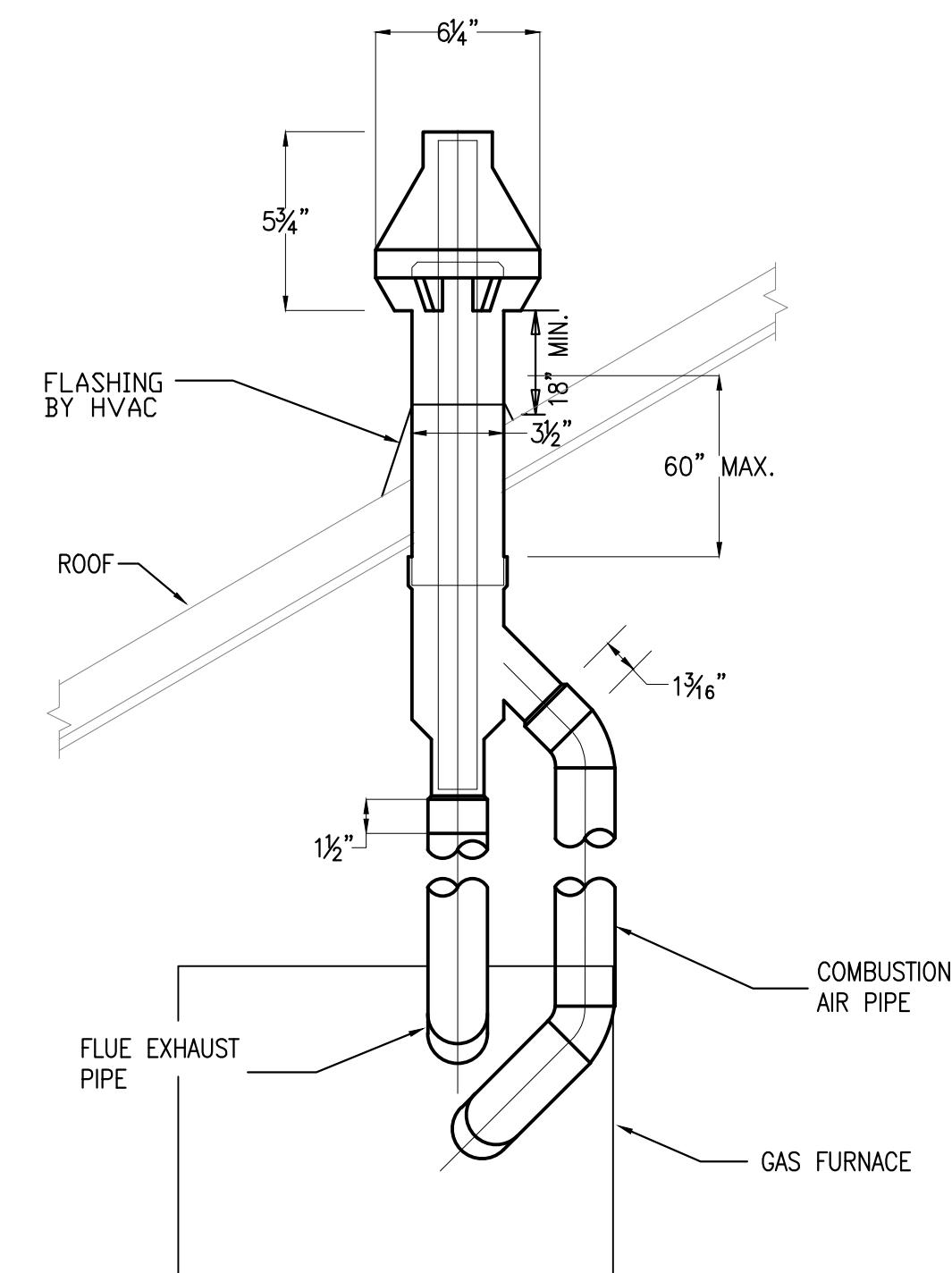
DETAIL OF BRANCH DUCT TAKE-OFF
N.T.S.



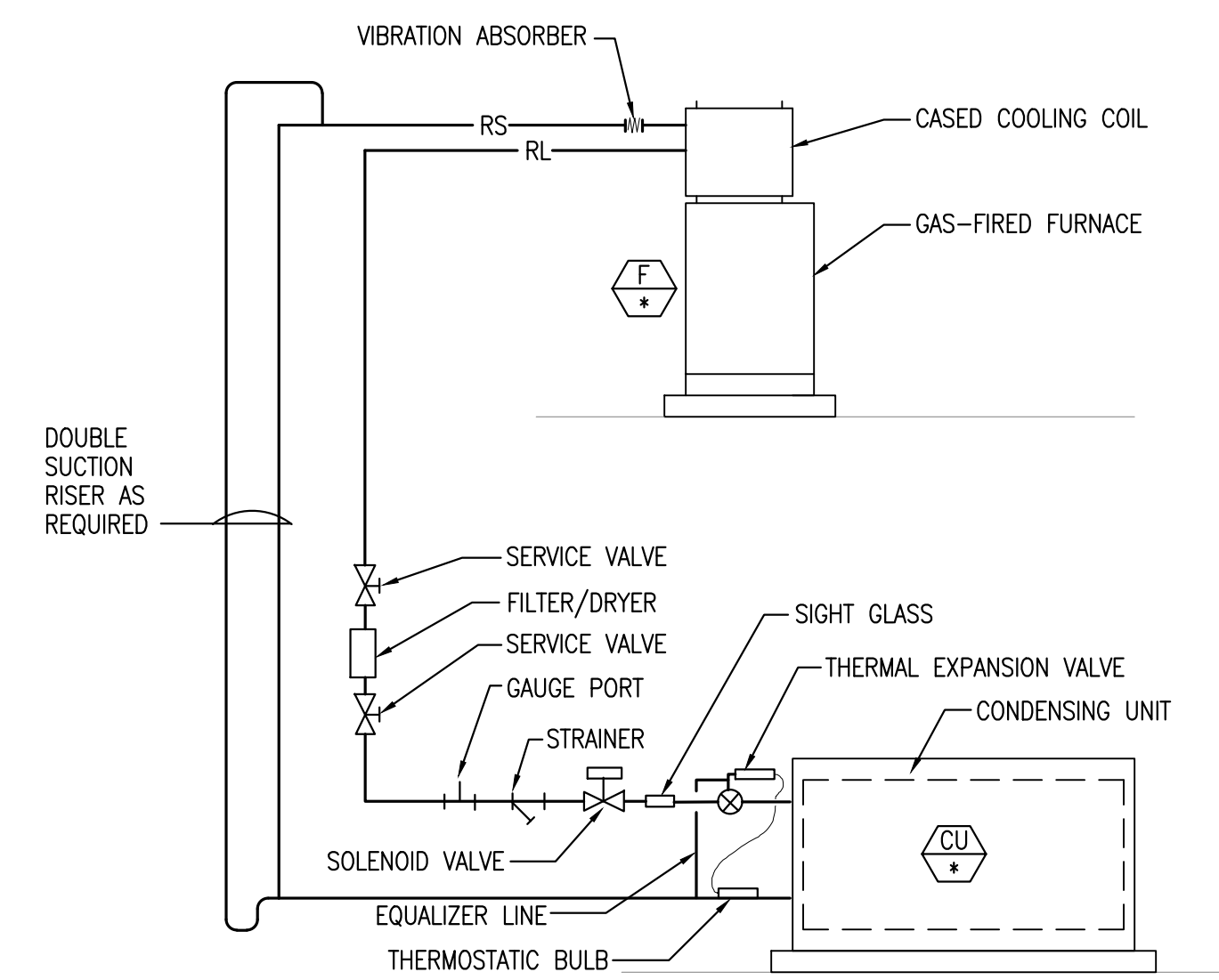
DUCT TRANSITION DETAIL
N.T.S.



TYPICAL SUPPLY REGISTER DETAIL
N.T.S.

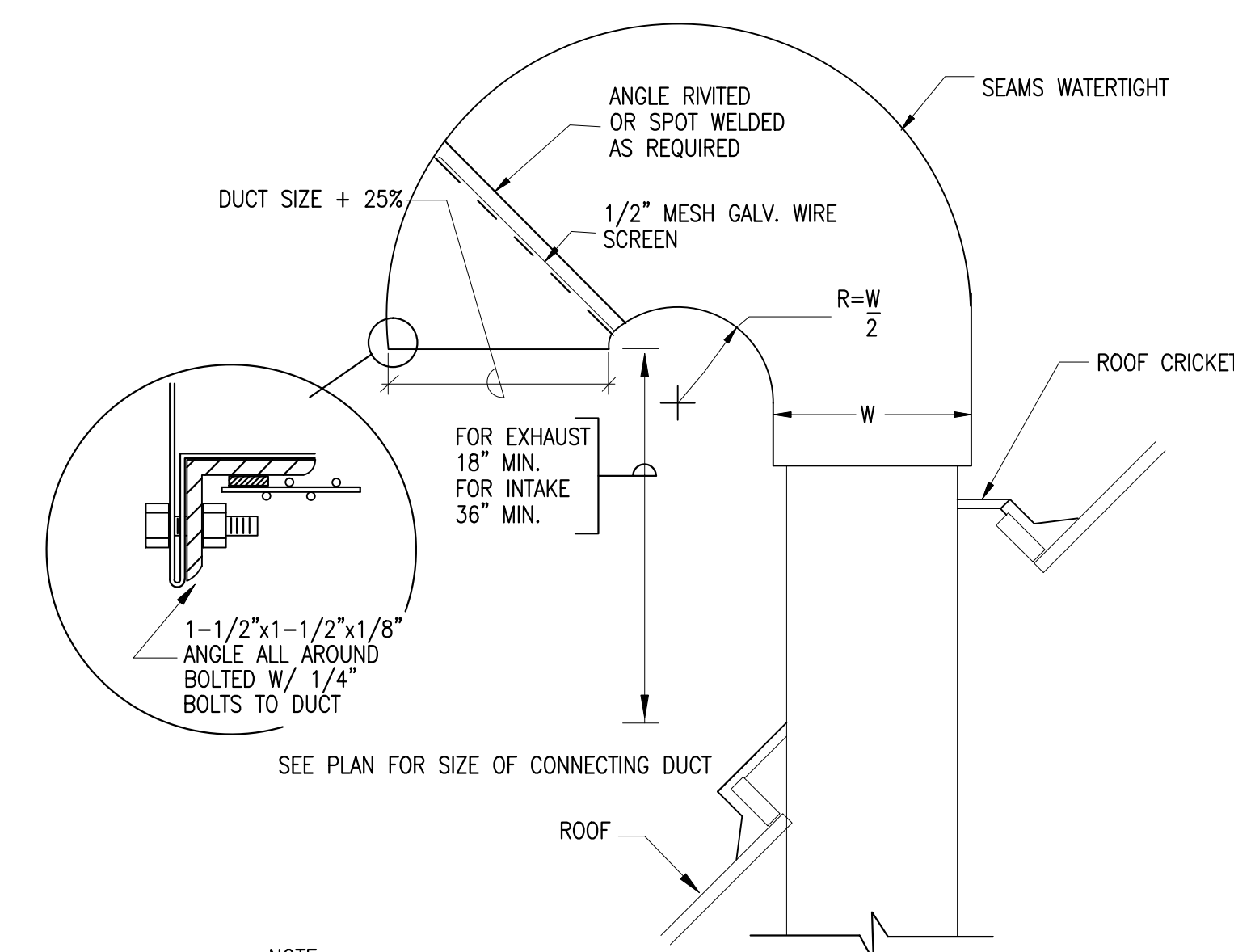


VERTICAL VENT TERMINAL/
COMBUSTION AIR INLET ASS'Y
N.T.S.



- NOTES:
1. REFRIGERANT PIPING SHALL BE INSTALLED AND SIZED ACCORDING TO MANUFACTURER'S RECOMMENDATIONS.

REFRIGERANT PIPING DETAIL
N.T.S.



- NOTE:
THE GOOSENECK INTAKE AIR DUCT SHALL BE INSTALLED IN THE SLOPED ROOF ON THE BACK SIDE OF THE BUILDING OUT OF SIGHT OF THE MAIN PARKING LOT. THIS GOOSENECK DUCT SHALL BE SCREENED, FLASHED AND SEALED TO THE EXISTING ROOF SHINGLES. THE ROOF IS SLOPED APPROX 45 DEGREES. THIS ARRANGEMENT IS USED FOR GFF-1, GFF-2, AND GFF-3.

GOOSENECK DETAIL
N.T.S.

DIFFUSER, REGISTER & GRILLE SCHEDULE								
ITEM	MFG'R ①	MODEL	SIZE	NECK	CFM MAX.	THROW	BORDER TYPE	REMARKS
S-2	TITUS	300RL	8x6	8x6	150	DBL DEF	1	② ③
S-3	TITUS	300RL	24x12	24x12	900	DBL DEF	1	② ③
S-4	TITUS	300RL	20x6	20x6	300	DBL DEF	1	③ ④
R-1	TITUS	350RL	24x24	24x24	1600	N/A	1	②
R-2	TITUS	350RL	20x20	20x20	1200	N/A	1	②
T-1	TITUS	350RL	16x16	16x16	750	N/A	1	②

- ① ACCEPTABLE ALT. MANUFACTURERS: PRICE INDUSTRIES, KRUEGER. ④ REUSE EXISTING REGISTERS FROM EXISTING DUCTWORK.
 ② DIFFUSER, REGISTERS, AND GRILLES SHALL BE OF ALUMINUM CONSTRUCTION.
 ③ SUPPLY REGISTERS SHALL BE DOUBLE DEFLECTION WITH BLADES SET AT 22-1/2 DEGREES.

GRIFFITH & VARY, INC.
Consulting Engineers
 12 Kendrick Road
Wareham, MA 02571
508-295-0050 (T)
508-295-0003 (F)
www.griffithandvary.com

**FREEDOM HALL
FURNACE
REPLACEMENT**
Cotuit, MA

Notes:

North Arrow

Keyplan

Drawing Name:
MECHANICAL SCHEDULES AND DETAILS

Scale: AS NOTED Drawing Number:
Job No: **M-3**
Drawn By: TEP
Date: Sept. 16, 2013